

COLORBLAZE REPLACEMENT PARTS

REFERENCE GUIDE



COLOR KINETICS INCORPORATED
10 MILK STREET, SUITE 1100
BOSTON, MA 02108 USA
TEL 888 FULL RGB
TEL 617 423 9999
FAX 617 423 9998
INFO@COLORKINETICS.COM
WWW.COLORKINETICS.COM

For use under one or more of the following patents: U.S. Patent Nos. 6,016,038, 6,150,774 and other patents listed at <http://colorkinetics.com/patents/>. Other patents pending.

©2006 Color Kinetics Incorporated. All rights reserved. Chromacore, Chromasic, CK, the CK logo, Color Kinetics, the Color Kinetics logo, Color Kinetics The Leader in Intelligent Light, ColorBlast, ColorBlaze, ColorBurst, ColorCast, ColorPlay, ColorScope, DIMand, Direct Light, EssentialWhite, eW, iColor, iColor Cove, IntelliWhite, iW, iPlayer, Light Without Limits, Optibin, Powercore, QuickPlay, Sauce, the Sauce logo, and Smartjuice are either registered trademarks or trademarks of Color Kinetics Incorporated in the United States and/or other countries.

All other brand or product names are trademarks or registered trademarks of their respective owners.

Specifications subject to change without notice. Refer to www.colorkinetics.com for the most recent version.

PUB-000149-00 Rev 03

GETTING STARTED

If your ColorBlaze product is damaged outside of the warranty terms, you have the option to replace parts. This document provides information regarding which parts are replaceable and general replacement instructions.

Available Kits Include:

- 120-000041-00 Power Supply Kit
- 120-000042-00 Power Supply with Thermal Sensor Kit
- 120-000043-00 Fan Assembly Kit
- 120-000044-00 Air Inlet Filter Assembly Kit
- 120-000045-00 Controller Panel Assembly Kit, 48"
- 120-000045-01 Controller Panel Assembly Kit, 72"
- 120-000046-00 Luxeon LED Board Kit
- 120-000046-01 Cree 7090 LED Board Kit
- 120-000047-00 48" Lens
- 120-000048-00 72" Lens
- 120-000049-01 Heavy Duty Low Profile Mounting Bracket Kit
- 120-000050-00 Low Profile Style Mounting Bracket, Handles Kit
- 120-000051-00 T-Handle Style Mounting Bracket (Black)
- 120-000052-00 T-Handle Style Mounting Bracket, Handle Kit
- 120-000053-00 IEC Connector Kit

Scope of this User Guide

This document provides instructions for replacing ColorBlaze parts. It is intended for reference only. This document should never be considered a substitute for any provisions of a regulation or state and/or local code.

Identification and Warnings of Safety Hazards

Refer to the *ColorBlaze User Guide* for all the applicable warnings and safety information.

Owner/User Responsibilities

It is the responsibility of the contractor, installer, purchaser, owner, and user to install, maintain, and operate ColorBlaze in such a manner as to comply with all state and local laws, ordinances, regulations, and the American Standard Institution Safety Code.

WARRANTY

THIS PRODUCT IS SOLD "AS IS" AND WITHOUT WARRANTY OF ANY KIND, AND COLOR KINETICS HEREBY DISCLAIMS ALL WARRANTIES, EXPRESS OR IMPLIED, INCLUDING, WITHOUT LIMITATION, THE IMPLIED WARRANTIES OF MERCHANTABILITY, NON-INFRINGEMENT AND FITNESS FOR A PARTICULAR PURPOSE. This product is sold pursuant to CKs Standard Terms and Conditions (the "T&Cs"), except for the T&Cs' warranty provisions, which are hereby excluded. The T&Cs are found on CKs web site at <http://colorkinetics.com/howtobuy/buy/terms> and, by ordering the product, you agree to be bound by the T&Cs as they exist on the date of your order. The T&Cs contain important provisions, including, among others, exclusions and limitations on CKs liability for damages and restrictions on the remedies that are available to you. If you do not agree to the T&Cs, contact CK immediately to cancel your order. <http://colorkinetics.com/howtobuy/buy/terms.htm>. IF THE FIXTURE INTO WHICH YOU ARE INSTALLING THIS PRODUCT IS UNDER WARRANTY, DO NOT INSTALL THIS PRODUCT. Instead, follow the warranty claim instructions that came with the fixture. If you install this product, you will have voided the warranty (if any) on the fixture into which it is installed.

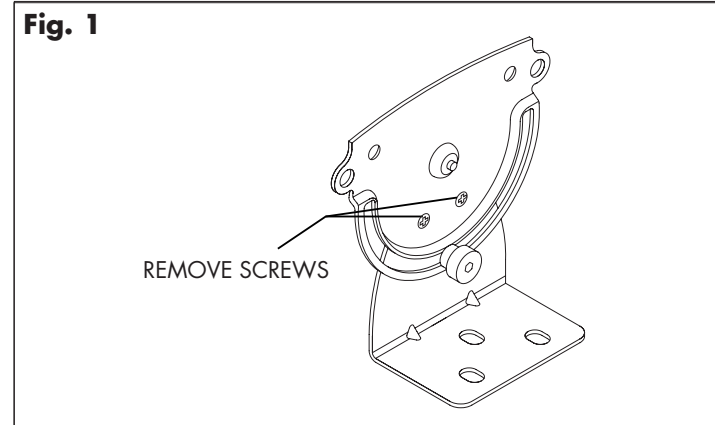
GENERAL PROCEDURES

This section provides general instructions for accessing components and replacing mounting brackets.

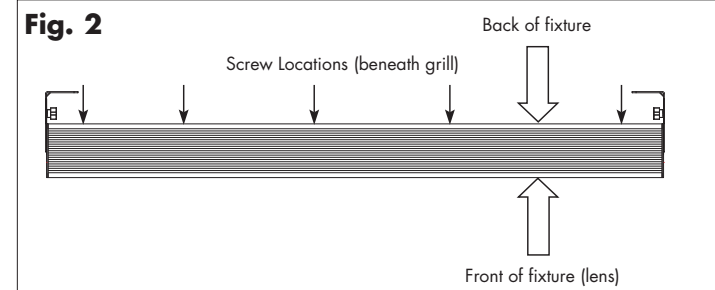
WARNING: Disconnect all power before servicing ColorBlaze. Failure to do so could result in death or serious injury and will void the warranty (if any).

Accessing Components within the Back Panel

1. Remove the two end screws from each side of the fixture. See Figure 1.



2. Remove the five or six screws along the length of the fixture (depending on the model.) See Figure 2.



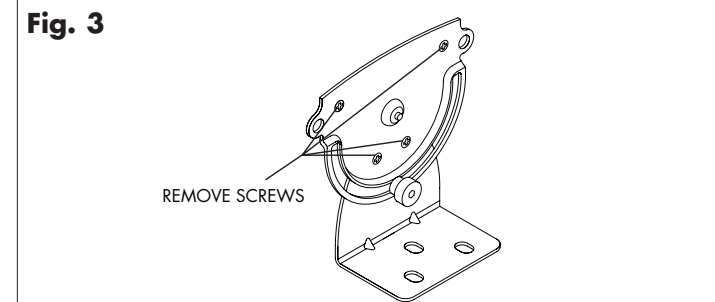
3. Rotate the panel outwards.

Accessing Components within the Front Lens Panel

1. Remove five or six screws along the length of the fixture (depending on the model.)
2. Gently pry lens (using a soft instrument) out of the housing along the edge.
3. Rotate the lens outward.

Replacing the Mounting Brackets

1. Remove the four hex screws from each end of the fixture. See Figure 3.



2. Replace the bracket and the four screws.

GENERAL TIPS FOR EACH KIT

This section provides general instructions for each kit.

WARNING: Disconnect all power before servicing ColorBlaze. Failure to do so could result in death or serious injury and will void the warranty (if any).

Power Supply Kit (120-000041-00)

Kit Includes: (1) Power Supply, (1) Insulating Barrier, (1) Set Mounting Hardware

The fixture power supplies are located behind the rear panel. There are three standard power supplies plus one power supply with a thermal sensor in a ColorBlaze 48 and five standard power supplies plus one power supply with a thermal sensor in a ColorBlaze 72. Electrical connections are via three unique multi-conductor plugs.

1. Remove the electrical connections.
2. Remove four nuts.
3. Remove the power supply.
4. Remove the existing insulating barrier if it is damaged. The barrier can be reused if it is still intact.
5. Replace components in reverse order.

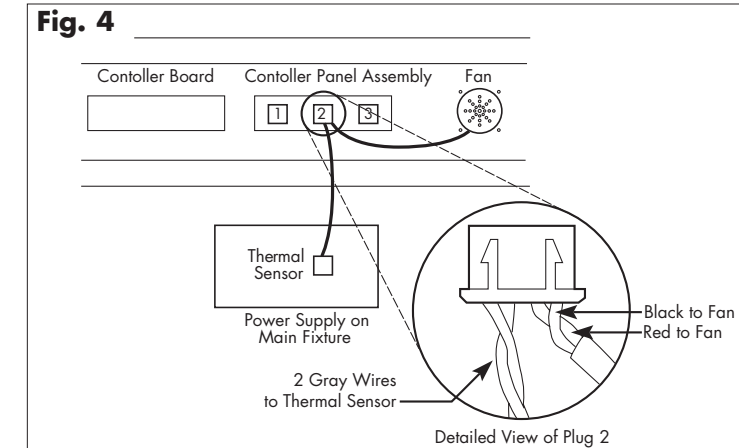
Power Supply with Thermal Sensor Kit (120-000042-00)

Kit Includes: (1) Power Supply, (1) Insulating Barrier, (1) Set Mounting Hardware

In each fixture, one power supply is equipped with a thermal sensor glued to the primary capacitor. This sensor is wired to a common multi-conductor plug shared with the cooling fan. The fixture power supplies are located behind the rear panel. Electrical connections are via three unique multi-conductor plugs, along with the thermal sensor lead.

1. Remove the electrical connections.
2. Pull the thermal sensor lead out of the multi-connector plug.
3. Remove four nuts.
4. Remove the power supply.
5. Remove existing insulating barrier if it is damaged. The barrier can be reused if it is still intact.
6. Replace the components in reverse order. Thermal sensor leads include new conductors pre-attached.

Note that the power supply with the thermal sensor should be placed closest to the center of the controller board. See Figure 4.



Fan Assembly Kit (120-000043-00)

Kit Includes: (1) Fan with Flying Lead to Multi Connector, (1) Inside Grill, (1) Outside Grill, (1) Set Mounting Hardware

1. Remove the rear panel.
2. Remove the four nuts.
3. Disconnect the flying lead from Controller Panel. The electrical multi-connector is shared with thermal sensor. See Figure 4.
4. Pull the leads from the fan.
5. Replace all components in reverse order. Fan leads include new conductors pre-attached.

Air Inlet Filter Assembly Kit (120-000044-00)

Kit Includes: (1) Filter Assembly, (1) Set Mounting Hardware

1. Remove the rear panel.
2. Remove the four nuts.
3. Replace the filter assembly.

Controller Panel Assembly Kit (120-000045-00), 48"

Controller Panel Assembly Kit (120-000045-01), 72"

Kit Includes: (1) Controller Panel Assembly, (1) Set Mounting Hardware

1. Remove the rear panel.
2. Disconnect the electrical multi-connectors.
3. Remove the two screws affixing the Controller Panel to the rear panel.
4. Replace the components in reverse order. All three multi-connectors are unique.

Luxeon LED Board Kit (120-000046-00)

Cree 7090 LED Board Kit (120-000046-01)

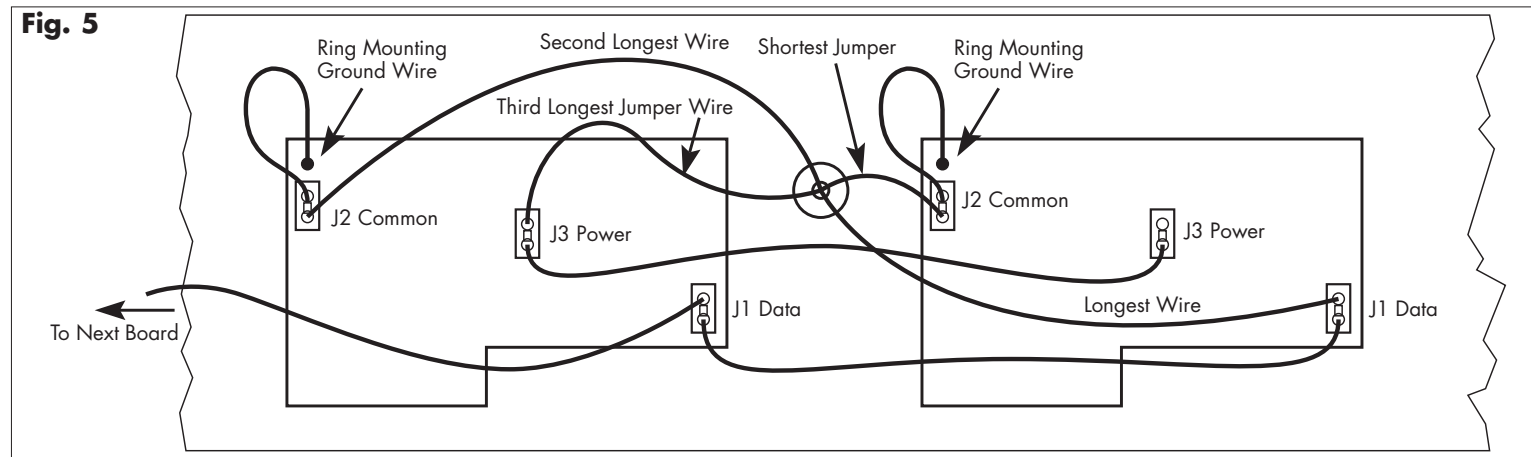
Kit Includes: (1) LED Board Kit, (1) Silicone Pad, (1) Programming Wire Harness, (1) Set Mounting Hardware

1. Remove the front lens panel.
2. Disconnect the wiring connections (carefully note exact wire lead connection).
3. Remove the five nuts.
4. Remove the LED board.

Note that certain iterations of ColorBlaze will have thermal grease under the circuit board. Remove the grease and clean with isopropyl alcohol. Certain iterations of ColorBlaze will have silicone gap pad which you should remove and discard.

Prior to replacing, individual circuit boards must be properly addressed (1-8 in ColorBlaze 48 or 1-12 in ColorBlaze 72). All replacement boards are addressed to the unit #1 position by default. To address a board, an external PDS-150e power supply and ZAPI unit must be obtained. Connect the replacement board to the PDS-150e via the included programming wire harness. Follow the instructions included with the ZAPI unit to address the replacement board to the corresponding ColorBlaze position (as indicated by white address # labels on individual boards).

Board is to be reinstalled with the included silicone gap pad.
Reinstall the wiring connections. See Figure 5.



48" Lens (120-000047-00)

72" Lens (120-000048-00)

Kit Includes: (1) Clear Polycarbonate Lens, (1) Set Mounting Hardware

For more information, see "Accessing Components within the Front Lens."

Heavy Duty Low Profile Mounting Bracket Kit (120-000049-01)

Kit Includes: (2) Mounting Brackets, (2) Handles, (1) Set Mounting Hardware

1. Remove the four hex screws.
2. Replace the unit.

Low Profile Style Mounting Bracket, Handles Kit (120-000050-00)

Kit Includes: (2) Handles

T-Handle Style Mounting Bracket (120-000051-00)

Kit Includes: (2) Mounting Brackets, (2) Handles, (1) Set Mounting Hardware

1. Remove the four hex screws.
2. Replace the unit.

T-Handle Style Mounting Bracket, Handle Kit (120-000052-00)

Kit Includes: (2) Handles

IEC Connector Kit (120-000053-00)

Kit Includes: (1) IEC Connector Kit Assembly, (1) Set Mounting Hardware

1. Remove the rear panel.
2. Remove the four screws.
3. Remove the connector assembly from the rear panel.
4. Disconnect the internal flying lead.
5. Replace components in reverse order.