



Date: \_\_\_\_\_ Type: \_\_\_\_\_

Firm Name: \_\_\_\_\_

Project: \_\_\_\_\_

# ColorBurst Powercore

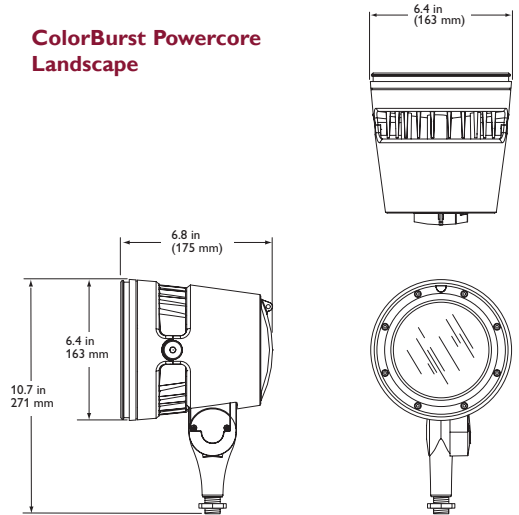
10° x 41° asymmetric spread lens

High-output, exterior RGB spotlight for accent and site lighting

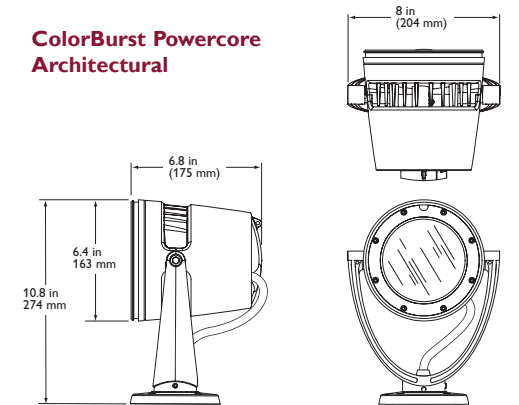
ColorBurst® Powercore is a high-output, exterior-rated LED lighting fixture designed for accent and site lighting. Architectural and Landscape versions deliver full-color light output of up to 647 lumens to support a range of dynamic uplighting, floodlighting, and decorative lighting applications.

- Integrates patented Powercore® technology — Powercore technology rapidly, efficiently, and accurately controls power output to ColorBurst Powercore fixtures directly from line voltage. The Philips Data Enabler Pro merges line voltage and control data and delivers them to the fixture over a single standard cable, dramatically simplifying installation and lowering total system cost.
- Flexible mounting options in architectural applications — Architectural fixtures feature an integrated yoke with canopy base for mounting to standard US junction boxes or directly to a flat surface or substrate as local codes permit.
- Support for a wide range of landscape applications — Landscape fixtures feature a 1/2 in (13 mm) NPT threaded post for mounting to standard junction boxes and third-party mounting accessories such as stanchion mounts, posts, and stakes for use in softscape and hardscape applications.
- Exchangeable optics and accessories — Available 14°, 23°, 41°, and asymmetric 10° x 41° spread lenses project a soft-edge beam to support a wide range of lighting applications. Native 8° beam angle offers extended light projection. Available glare shields block spill light, while honeycomb louvers limit the spread of light for a more focused and intense beam.
- Versatile light positioning — ColorBurst Powercore fixtures can tilt through a full 180°. ColorBurst Powercore Architectural fixtures can also rotate through a full 360° for precise aiming. Locking nuts accept standard hex wrenches to secure fixtures firmly in position.
- Universal power input range — ColorBurst Powercore accepts a universal power input range of 100 to 240 VAC, allowing the installation of multiple units in a continuous run.

## ColorBurst Powercore Landscape



## ColorBurst Powercore Architectural



- Industry-leading controls — ColorBurst Powercore works seamlessly with the complete line of Philips controllers, including iPlayer® 3 and Light System Manager™, as well as third-party DMX controllers.
- Outdoor rated — With a rugged, die-cast aluminum housing fully sealed for maximum fixture life and IP66-rated for outdoor applications, ColorBurst Powercore is ideal for use in damp or wet locations.

For detailed product information, please refer to the ColorBurst Powercore Product Guide at [www.colorkinetics.com/ls/rgb/colorburstpc/](http://www.colorkinetics.com/ls/rgb/colorburstpc/)

**PHILIPS**

## Specifications

Due to continuous improvements and innovations, specifications may change without notice.

| Item        | Specification                          | Details   |                           |
|-------------|--|---|---------------------------|
| Output      | Beam Angle                             | 10° x 41°   |                           |
|             | Lumens†                                | 584   |                           |
|             | Color Range                            | 16.7 million additive RGB colors; continuously variable intensity   |                           |
|             | Lumen Maintenance‡                     | 120,000 hours L50 @ 25° C<br>70,000 hours L50 @ 50° C   |                           |
| Electrical  | Input Voltage                          | 100 – 240 VAC, auto-switching, 50 / 60 Hz via Data Enabler Pro  |                           |
|             | Power Consumption                      | 30 W maximum at full output, steady state   |                           |
| Control     | Interface                              | Data Enabler Pro (DMX or Ethernet)  |                           |
|             | Control System                         | Philips full range of controllers, including Light System Manager and iPlayer 3, or third-party DMX controllers       |                           |
| Physical    | Dimensions<br>(Height x Width x Depth) | 10.8 x 8.0 x 6.8 in (274 x 204 x 175 mm) Architectural<br>10.7 x 6.4 x 6.8 in (271 x 163 x 175 mm) Landscape          |                           |
|             | Weight                                 | 11 lb (5 kg) Architectural 7.4 lb (3.4 kg) Landscape  |                           |
|             | Housing                                | Die-cast aluminium, gray powder-coated finish   |                           |
|             | Lens                                   | Tempered glass  |                           |
|             | Fixture Connections                    | Unified power / data cable with four flying leads   |                           |
|             | Temperature Ranges                     | -40° – 122° F (-40° – 50° C) Operating<br>-4° – 122° F (-20° – 50° C) Startup<br>-40° – 176° F (-40° – 80° C) Storage |                           |
|             | Humidity                               | 0 – 95%, non-condensing   |                           |
|             | Fixture Run Lengths*                   | 52 @ 100 VAC<br>52 @ 120 VAC<br>52 @ 220 VAC<br>52 @ 240 VAC  |                           |
|             | Certification and Safety               | Certification   | UL / cUL, FCC Class A, CE |
|             |  | LED Class   | Class 2 LED product       |
| Environment |  | Dry / Damp / Wet Location, IP66   |                           |

† Lumen measurement complies with IES LM-79-08 testing procedures



‡ L50 = 50% maintenance of lumen output (when light output drops below 50% of initial output). Ambient temperatures specified. Based on measurements that comply with IES LM-80-08 testing procedures. See [www.colorkinetics.com/support/appnotes/lm-80-08.pdf](http://www.colorkinetics.com/support/appnotes/lm-80-08.pdf) for more information.

\* These figures, provided as a guideline, are accurate for this configuration only. Changing the configuration can affect the fixture run lengths.

CHROMACORE<sup>®</sup> CK TECHNOLOGY | OPTIBIN<sup>®</sup> CK TECHNOLOGY | POWERCORE<sup>®</sup> CK TECHNOLOGY

## Fixtures

| Item                 | Type          | Housing | Item Number   | Philips 12NC |
|----------------------|---------------|---------|---------------|--------------|
| ColorBurst Powercore | Landscape     | Gray    | 123-000015-00 | 910503700578 |
|                      | Architectural | Gray    | 123-000015-01 | 910503700639 |

Use Item Number when ordering in North America.

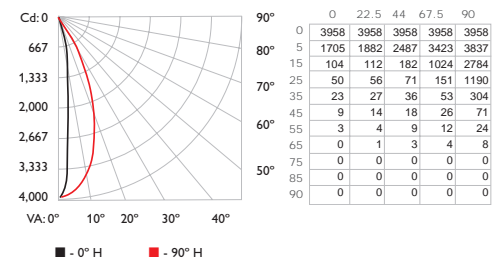


Philips Color Kinetics  
3 Burlington Woods Drive  
Burlington, Massachusetts 01803 USA  
Tel 888.385.5742  
Tel 617.423.9999  
Fax 617.423.9998  
[www.colorkinetics.com](http://www.colorkinetics.com)

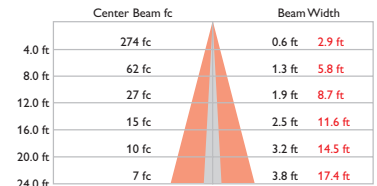
## Photometrics

10° x 41° spread lens

### Polar Candela Distribution



### Illuminance at Distance



63 ft (19.2 m) 1 fc maximum distance  
 ■ Vert. Spread: 9.0°  
 ■ Horiz. Spread: 39.8°

| LED | Lumens | Efficacy |
|-----|--------|----------|
| RGB | 584    | 22.2     |

For lux multiply fc by 10.7

## Accessories

| Item          | Type                 | Item Number   | Philips 12NC |
|---------------|----------------------|---------------|--------------|
| Spread Lenses | 14°                  | 120-000080-00 | 910503700609 |
|               | 23°                  | 120-000080-01 | 910503700610 |
|               | 41°                  | 120-000080-02 | 910503700611 |
|               | 10° x 41° asymmetric | 120-000080-03 | 910503700612 |

|                          |  |               |              |
|--------------------------|--|---------------|--------------|
| Trim Ring                |  | 120-000103-00 | 910503701212 |
| 45° Glare Shield         |  | 120-000103-01 | 910503701213 |
| Full Height Glare Shield |  | 120-000103-02 | 910503701214 |
| Honeycomb Louver         |  | 120-000104-00 | 910503701215 |

|                          |                          |               |              |
|--------------------------|--------------------------|---------------|--------------|
| Data Enabler Pro         | UL / cUL                 | 106-000004-00 | 910503701210 |
|                          | CE                       | 106-000004-01 | 910503701211 |
| Light System Manager     | Ethernet                 | 103-000015-02 | 910503700221 |
| iPlayer 3 Controller DMX | North America Power Cord | 103-000019-00 | 910403327101 |
|                          | Europe Power Cord        | 103-000019-01 | 910503700392 |
| ColorDial Pro            | Ethernet                 | 103-000025-00 | 910503700790 |

Use Item Number when ordering in North America.

Copyright © 2010 Philips Solid-State Lighting Solutions, Inc. All rights reserved.  
 Chromacore, Chromasic, CK, the CK logo, Color Kinetics, the Color Kinetics logo, ColorBlast, ColorBlaze, ColorBurst, ColorGraze, ColorPlay, ColorReach, iW Reach, eW Reach, DIMand, EssentialWhite, eW, iColor, iColor Cove, IntelliWhite, iW, iPlayer, Optibin, and Powercore are either registered trademarks or trademarks of Philips Solid-State Lighting Solutions, Inc. in the United States and / or other countries. All other brand or product names are trademarks or registered trademarks of their respective owners. Due to continuous improvements and innovations, specifications may change without notice.

DAS-000029-05 R00 05-10