



**Higher  
Output**

Date: \_\_\_\_\_ Type: \_\_\_\_\_

Firm Name: \_\_\_\_\_

Project: \_\_\_\_\_

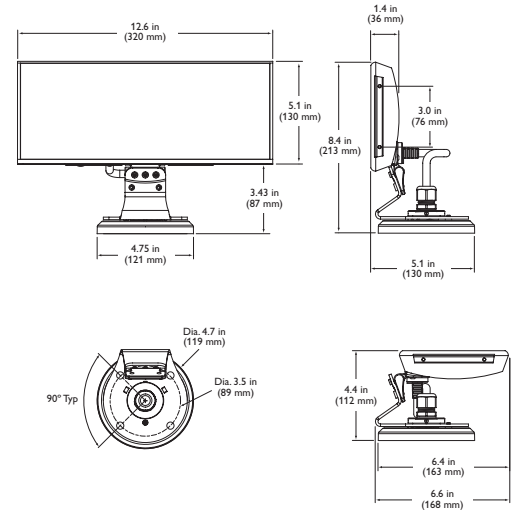
# ColorBlast 12

10° Clear Lens

Color-changing LED floodlight, for use both indoors and outdoors

High-performance ColorBlast 12 LED fixtures generate rich, saturated colors and color-changing effects for a range of wall-washing and floodlighting applications. Designed with the needs of lighting designers, architects, and retail window directors in mind, ColorBlast 12 can be used in both indoor and outdoor installations. High-intensity LEDs produce superior light output of over 1200 lumens. ColorBlast 12 also offers full pan and tilt rotation, flexible mounting options, two beam angles, and superior control through Philips or third-party DMX controllers.

- Two beam patterns — A frosted glass lens (22° beam angle) produces a soft-edge beam, while a clear glass lens (10° beam angle) affords extended light projection.
- Outdoor rated — Fully sealed for maximum fixture life and IP66-rated for outdoor applications, ColorBlast 12 fixtures meet or exceed specifications for use in wet locations. Rugged, die-cast aluminum housing is available in white or black powder-coated finish.
- Flexible mounting options — The versatile fixture canopy base can be mounted to a junction box or directly to a wall, ceiling, or floor. A liquid-tight cable fitting seals the canopy opening for use in damp or wet environments.
- Versatile light positioning — The locking canopy base offers friction-free rotation of up to 350°, and 110° fixture tilting lets installers quickly aim the fixture without special tools.
- Unified power and data cable — Each ColorBlast 12 fixture comes with a 60 ft (18.3 m) unified power and data cable to minimize wiring. ColorBlast 6 is intended for use with PDS-150e and PDS-60 24V power / data supplies.



- Industry-leading controls — ColorBlast 12 fixtures work seamlessly with the complete line of Philips controllers, including iPlayer 3 and Light System Manager, as well as third-party DMX controllers.
- Additional options for controlling and dispersing light — Designed specifically for the family of ColorBlast fixtures by City Theatrical, Inc., accessories include top hats, half top hats, egg crate louvers, barndoors, and horizontal and vertical spread lenses.

For detailed product information, please refer to the ColorBlast 6 / ColorBlast 12 Product Guide at [www.colorkinetics.com/lc/colorblast12/](http://www.colorkinetics.com/lc/colorblast12/)

**PHILIPS**

## Specifications

Due to continuous improvements and innovations, specifications may change without notice.

Item	Specification	Details
Output	Beam Angle	10°
	Lumens†	1207
	Color Range	16.7 million additive RGB colors; continuously variable intensity
	Mixing Distance	6 in (152 mm) to uniform light
	Lumen Maintenance‡	50,000+ hours L50 @ 50° C (full output)
Electrical	Input Voltage	24 VDC
	Power Consumption	50 W maximum at full output, steady state
Control	Interface	PDS-150e 24V (DMX / Ethernet) PDS-60 24V (Pre-programmed or DMX / Ethernet)
	Control System	Philips full range of controllers, including Light System Manager and iPlayer 3, or third-party DMX controllers
Physical	Dimensions (Height x Width x Depth)	8.4 x 12.6 x 5.1 in (213 x 320 x 130 mm)
	Weight	4.2 lb (1.9 kg)
	Housing	Die-cast aluminium, black or white powder-coated finish
	Lens	Clear glass
	Fixture Connections	60 ft (18.3 m) unified power / data cable
	Temperature	-40° – 122° F (-40° – 50° C) Operating -4° – 122° F (-20° – 50° C) Startup
	Humidity	0 – 95%, non-condensing
	Maximum Fixture Run Length	60 ft (18.3 m) standard 150 ft (45.7 m) maximum 400 ft (121.9 m) total per power / data supply
Certification and Safety	Certification	UL / cUL, CE, PSE
	LED Class	Class 2 LED product
	Environment	Dry / Damp / Wet Location, IP66

† Lumen measurement complies with IES LM-79-08

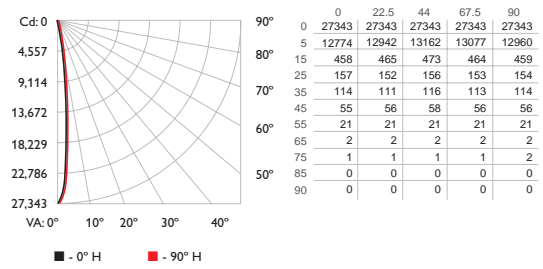
‡ L50 = 50% maintenance of lumen output. (When light output drops below 50% of initial output.) Ambient temperature specified.



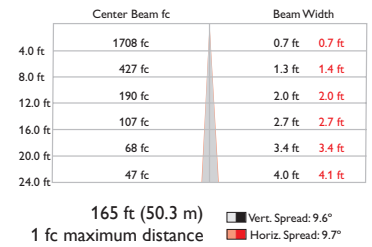
## Photometrics

10° clear lens

### Polar Candela Distribution



### Illuminance at Distance



LED	Lumens	Watts	Efficacy
RGB	1207	50	24.1

For lux multiply fc by 10.7

ColorBlast 12 fixtures are part of a complete system which includes:

- One or more power / data supplies
- Any Philips controller, including Light System Manager and iPlayer 3 or a third-party DMX controller

## Fixtures, Power / Data Supplies, and Controllers

Item	Type	Item Number	Philips 12NC
ColorBlast 12	White	22° Beam Angle	116-000025-00 910503700589
		10° Beam Angle	116-000025-02 910503700591
	Black	22° Beam Angle	116-000025-01 910503700590
		10° Beam Angle	116-000025-03 910503700592
PDS-150e 24V	DMX / Ethernet	109-000008-01	910503700092
PDS-60 24V	Pre-programmed	109-000017-00	910503700096
	DMX / Ethernet	109-000017-03	910503700097
Light System Manager		103-000015-02	910503700221
iPlayer 3	N.A. Power Cord	103-000019-00	910403327101
	Europe Power Cord	103-000019-01	910503700392
ColorDial Pro		103-000025-00	910503700790
Synchronizer		103-000001-00	—
Multi Synchronizer		103-000002-00	—

Use Item Number when ordering in North America.

## Accessories

Item	Type	Item Number	Philips 12NC
Accessory Holders	White	120-000004-03	—
	Black	120-000004-04	—
Half Top Hats	White	120-000010-03	—
	Black	120-000010-04	—
Top Hats	White	120-000006-03	—
	Black	120-000006-04	—
Egg Crate Louvers	White	120-000016-03	—
	Black	120-000016-04	—
Barndoors	White	120-000020-03	—
	Black	120-000020-04	—
Horizontal Spread Lens	36 / 50°	120-000026-00	—
Horizontal / Vertical Spread Lens	40° / 40°	120-000026-01	—



Philips Color Kinetics  
3 Burlington Woods Drive  
Burlington, Massachusetts 01803 USA  
Tel 888.385.5742  
Tel 617.423.9999  
Fax 617.423.9998  
www.colorkinetics.com

Copyright © 2009 Philips Solid-State Lighting Solutions, Inc. All rights reserved. Chromacore, Chromasic, CK, the CK logo, Color Kinetics, the Color Kinetics logo, ColorBlast, ColorBlaze, ColorBurst, ColorGraze, ColorPlay, ColorReach, DIMand, EssentialWhite, eVW, iColor, iColor Cove, IntelliWhite, iW, iPlayer, Light Without Limits, Optibin, and Powercore are either registered trademarks or trademarks of Philips Solid-State Lighting Solutions, Inc. in the United States and/or other countries. All other brand or product names are trademarks or registered trademarks of their respective owners. Due to continuous improvements and innovations, specifications may change without notice.

DAS-000034-01 R00 10-09